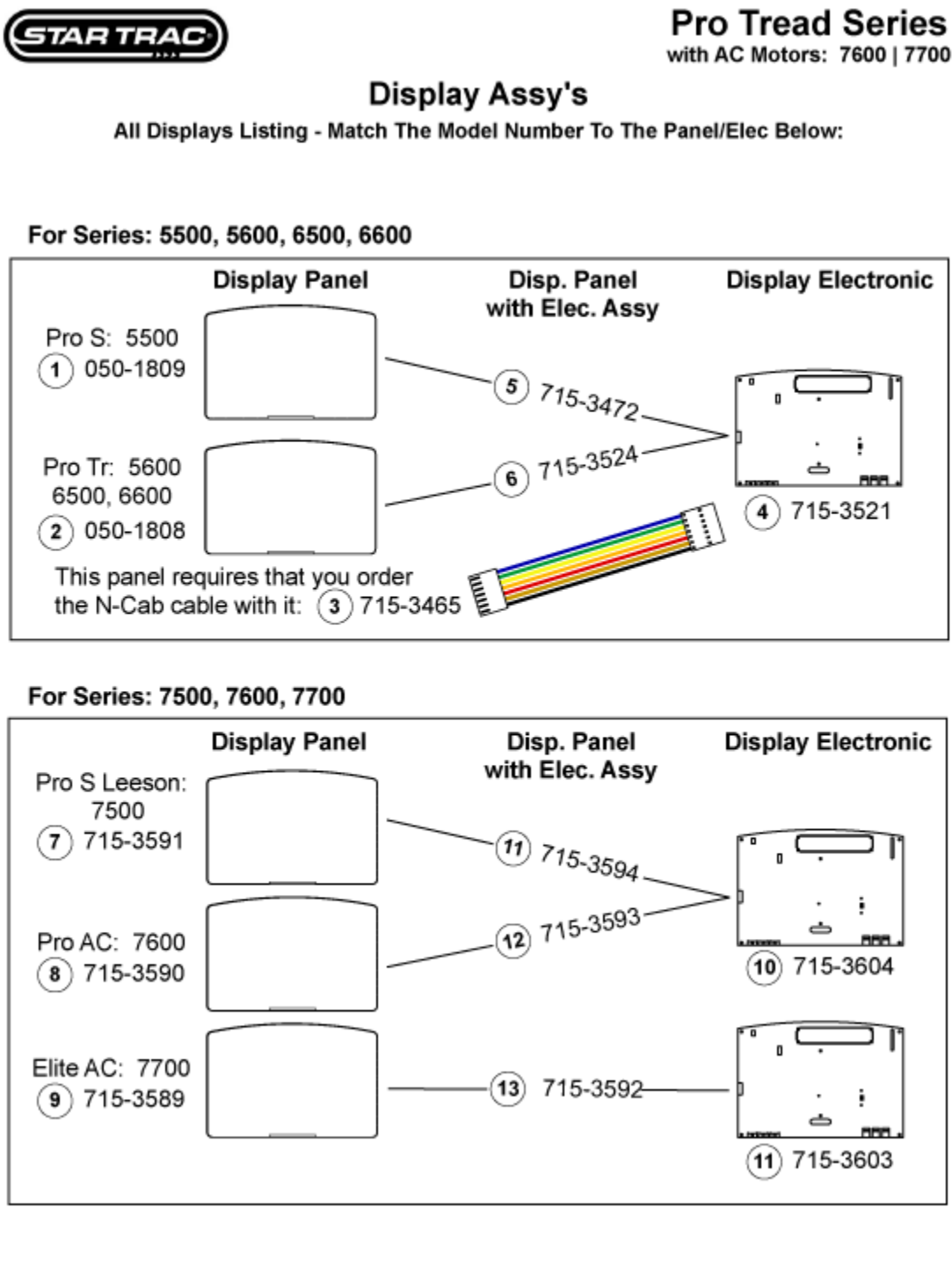


Product ID: 33 • Diagram ID: 176

Deck & Belt Assy

Waxless System

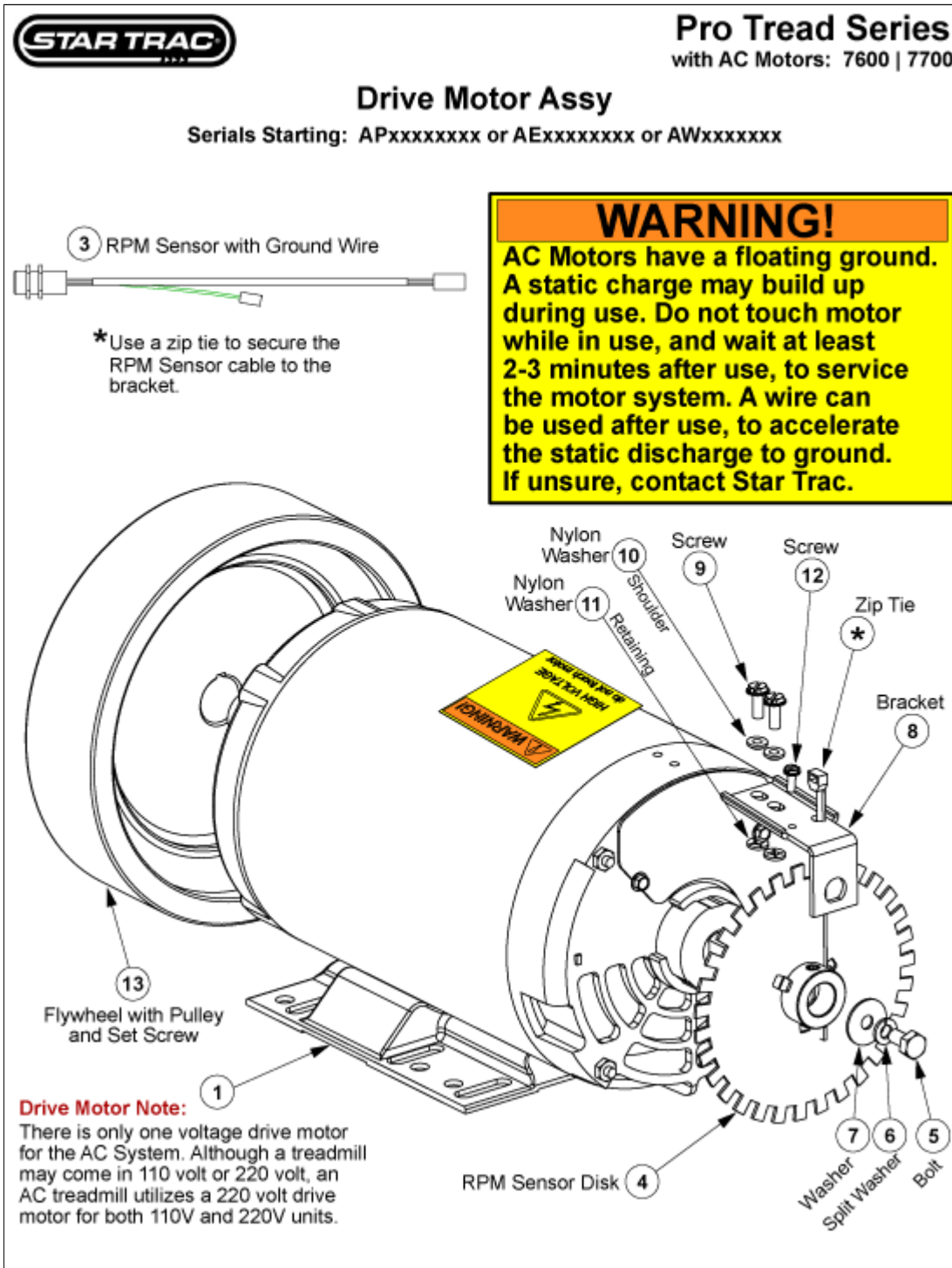
| Callout | Part Number: | Description |
|---------|--------------|--------------------------------|
| 1 | 130-1708 | Belt, Running, Waxless, Pro Tr |
| 2 | 708-0061 | Roller, Head |
| 3 | 715-3431 | Roller, Tail, Pro Treads |
| 4 | 800-3984 | Deck, dbl-sided, Waxless, Pro |
| 5 | 010-3106 | Deck Rubber, 53.5" |
| 6 | 130-1695 | Belt, Drive, 270J10, Poly-V |
| 9 | 110-3066 | Screw, 6x5/8" Truss Hd Phil |
| 10 | 140-3216 | Bumper, Recessed 5/8x13/32 |
| 11 | 120-0341 | Washer, #10 Flat Sae |
| 12 | 110-3056 | Screw, 5/16-18x2.0" Shcs |
| 13 | 110-0651 | Screw, 5/16-18x1.75" Shcs Thr |
| 14 | 120-0496 | Washer, 5/16" Lock |
| 15 | 120-0490 | Washer, 5/16 x1/2" Flat |
| 16 | 020-6388 | Brkt, Deck Stop |
| 17 | 110-3109 | Screw, 10-24x1/2" Shcs |



Display Assy

Complete Listing

| Callout | Part Number: | Description |
|---------|-----------------|--------------------------------|
| 1 | 050-1809 | Disp Panel, 5500 |
| 2 | 050-1808 | Disp Panel, 5600/6500/6600 |
| 3 | 715-3465 | Cable, N-cap Pwr for 050-1808 |
| 4 | 715-3521 | Disp Elec, Pcb, Pro Treads |
| 5 | 715-3472 | Disp Assy, Panel+Elec 5500 |
| 6 | 715-3524 | Disp Assy, Panel+Elec 56\65\66 |
| 7 | 715-3591 | Disp Panel, 7500 |
| 8 | 715-3590 | Disp Panel, 7600 |
| 9 | 715-3589 | Disp Panel, 7700 |
| 10 | 715-3604 | Disp Elec w/Saltrn, Pro/S AC/L |
| 11 | 715-3603 | Disp Elec w/Saltrn, Elite AC |
| 12 | 715-3594 | Disp Assy, Panel+Elect, 7500 |
| 13 | 715-3593 | Disp Assy, Panel+Elect, 7600 |
| 14 | 715-3592 | Disp Assy, Panel+Elect, 7700 |

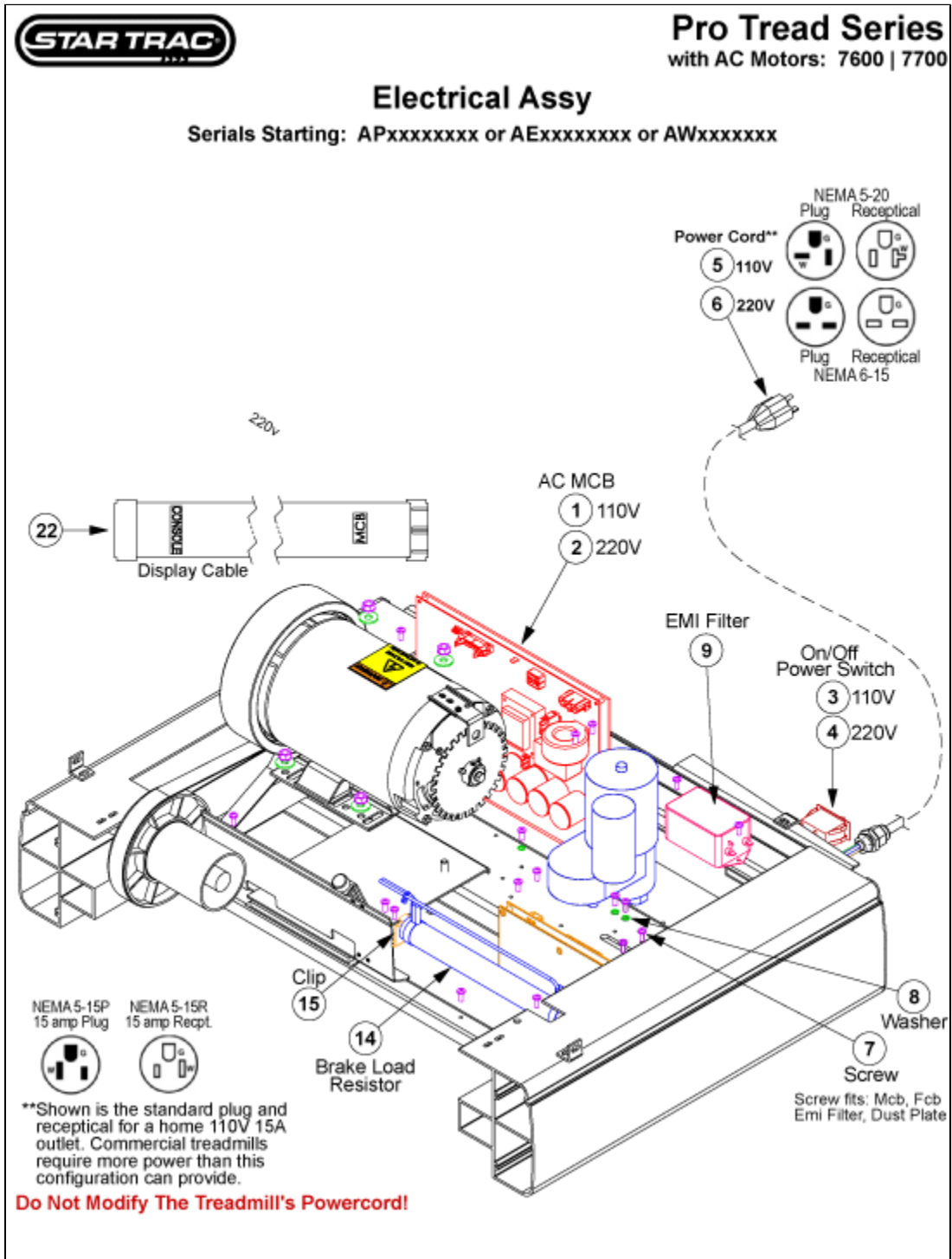


Product ID: 33 • Diagram ID: 186

Drive Motor Assy

AC Motor

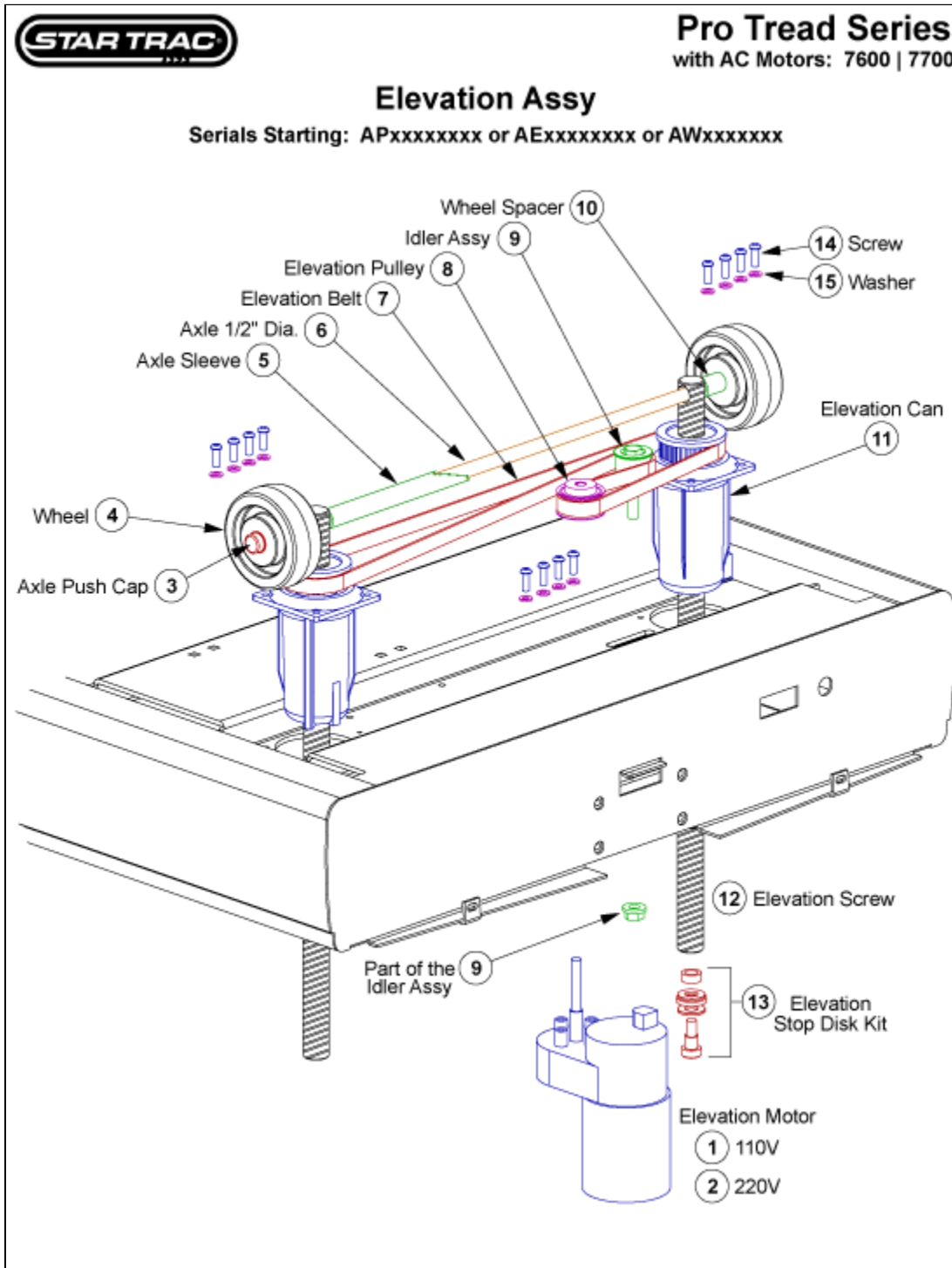
| Callout | Part Number: | Description |
|---------|--------------|--------------------------------|
| 1 | 260-0934 | Motor, Drive, 220v 5hp AC |
| 3 | 560-0069 | Rpm Sensor, w/Grnd Wire, AC Pt |
| 4 | 715-3574 | Rpm Disk, 31 Slot, AC Motor |
| 5 | 110-0580 | Screw, 1/4-20x1/2" Hhcs |
| 6 | 120-0420 | Washer, 1/4" Lock |
| 7 | 120-0425 | Washer, Flat, 1/4x7/8odx.047 |
| 8 | 020-6563 | Bracket, Rpm Sensor, Support |
| 9 | 110-3152 | Screw, 8-32x1/2" Hhms w/washer |
| 10 | 120-3266 | Washer, #8, shoulder, Nylon |
| 11 | 120-3267 | Washer, #8, Retainer, Nylon |
| 12 | 110-0180 | *OBSOLETE* |
| 13 | 020-6562 | Flywheel Pulley, AC Motor |



Product ID: 33 • Diagram ID: 178

Electrical Assy

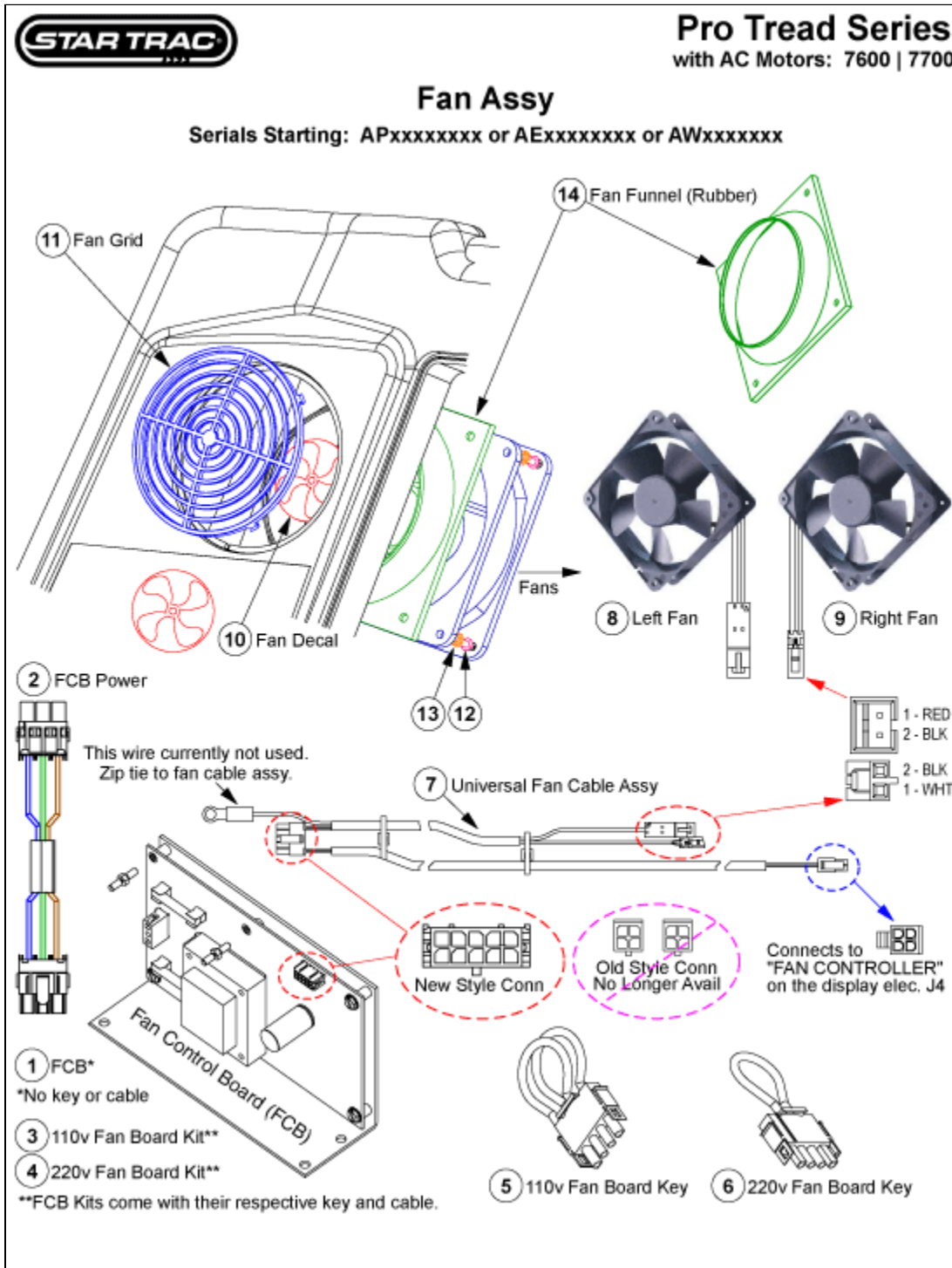
| Callout | Part Number: | Description |
|---------|--------------|------------------------------------|
| 1 | 715-3617 | Mcb, 110v, AC System |
| 2 | 715-3618 | Mcb, 220v, AC System |
| 3 | 470-0190 | Switch, Pwr, On/off Brkr, 110v 18a |
| 4 | 470-0180 | Switch, Pwr, On/off Brkr, 220v 18a |
| 5 | 715-3456 | ASSY, PW CORD, NEMA 5-20, 110V |
| 6 | 712-3002 | ASSY, PW CORD, NEMA 6-20, 220V |
| 7 | 110-3026 | Screw, 10-24x3/4" Phtcs |
| 8 | 120-0220 | Washer, #10 Ext Tooth |
| 9 | 440-0257 | EMI Fitr, 110/220v |
| 14 | 715-3588 | Assy, Resistor, 200w, 1k Ohm |
| 15 | 170-0688 | Brkt, Resistor Mount |
| 16 | 715-3412 | Cable, Power, EMI-Mcb |
| 18 | 715-3545 | Cable, Fan Power, Mcb-Fcb |
| 19 | 715-3170 | ASSY,JUMP,EMI TO BREAKER,220V |
| 20 | 715-3170 | ASSY,JUMP,EMI TO BREAKER,220V |
| 21 | 715-3457 | Cable, Ground Wire |
| 22 | 715-3600 | Assy. Cable, Main Interface, |



Product ID: 33 • Diagram ID: 179

Elevation Assy

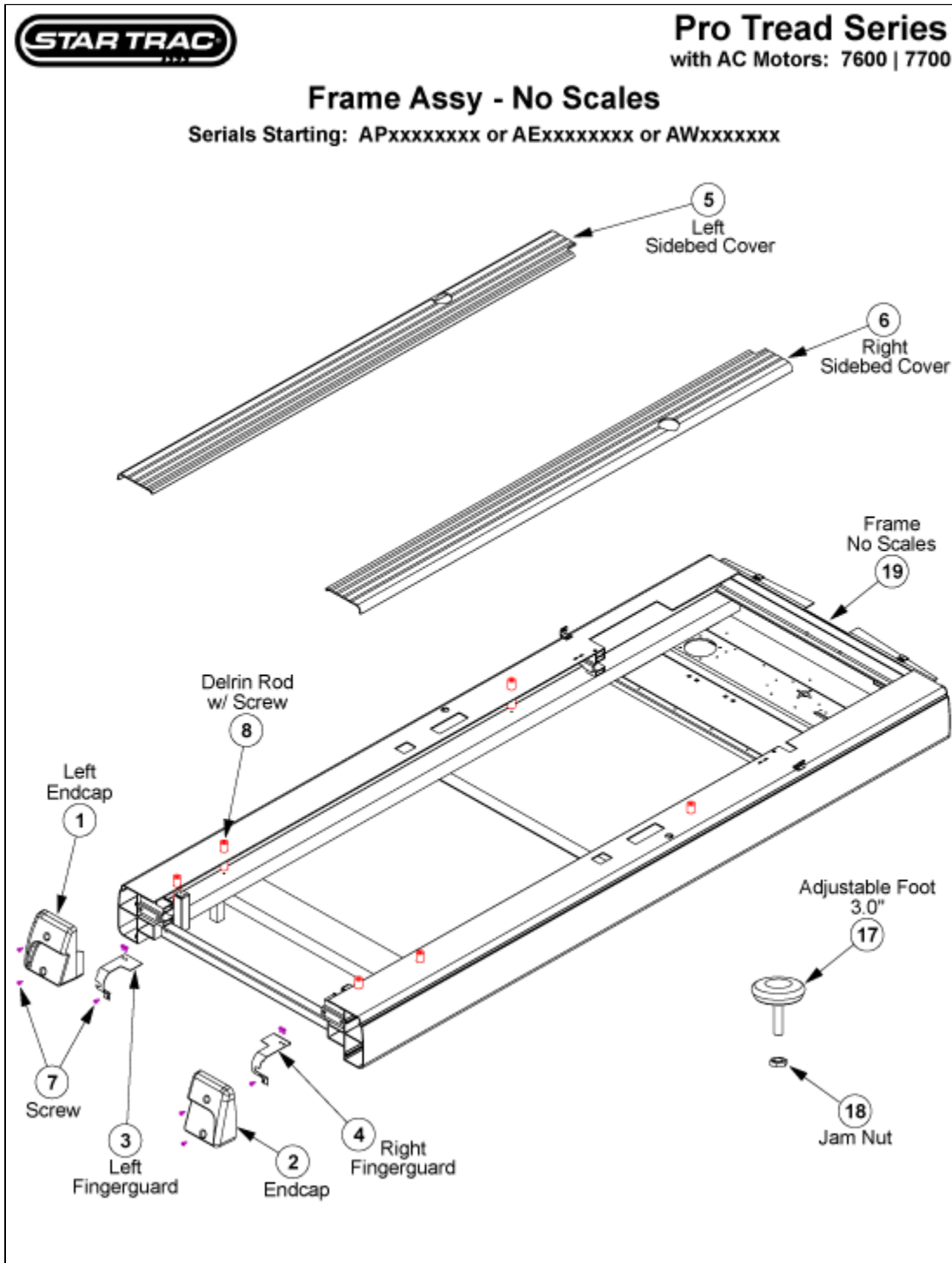
| Callout | Part Number: | Description |
|---------|--------------|---------------------------------|
| 1 | 260-0235 | Motor, Elev, 110vac |
| 2 | 260-0929 | Motor, Elev, 220vac |
| 3 | 110-1415 | Axle Push Cap, 1/2" |
| 4 | 130-1694 | Wheel, 4x1.5x1/2" bore |
| 5 | 020-6266 | Sleeve, Elev Axle |
| 6 | 715-3430 | Elev Axle, 1/2" dia |
| 7 | 130-0050 | Belt, Elev, 1595-5M15 |
| 8 | 130-0250 | Pulley, Elev Mtr, 2/3/15/1000 |
| 9 | 800-0225 | Elev, Idler Pulley Assy |
| 10 | 020-6268 | Spacer, Elevation |
| 11 | 708-0151 | Elev Can |
| 12 | 715-0110 | Elev Screw, Drilled |
| 13 | 800-3267-001 | Elev Stop Disk, Retro Kit, Rbr |
| 14 | 110-3119 | Screw, 1/4-20x3/4" Bhcs,loctite |
| 15 | 120-0420 | Washer, 1/4" Lock |



Product ID: 33 • Diagram ID: 180

Fan Assy

| Callout | Part Number: | Description |
|---------|--------------|-----------------------------|
| 1 | 715-3549 | FCB Assy, 110-220V |
| 2 | 715-3545 | Cable, Fan Power, Mcb-Fcb |
| 3 | 800-3871 | Fcb, w/Wires 110v, PRO TR |
| 4 | 800-3872 | Fcb, w/Wires 220v, PRO TR |
| 5 | 715-3544 | Jumper Cable, 110v, Fan Brd |
| 6 | 715-3543 | Jumper Cable, 220v, Fan Brd |
| 7 | 715-3522 | Fan Wiring Assy |
| 8 | 260-0928-01 | Fan, Dc Brushless, Lt |
| 9 | 260-0928-02 | Fan, Dc Brushless, Rt |
| 10 | 050-1826 | Sticker, Fan, Pro Tr |
| 11 | 020-6273 | Fan Grid, Pro Tr |
| 12 | 110-0150 | Screw, 6-32x1/2" Bhc,hk,as |
| 13 | 120-3233 | Washer, #6 Ext Tooth |
| 14 | 020-6287 | Funnel, Fan |

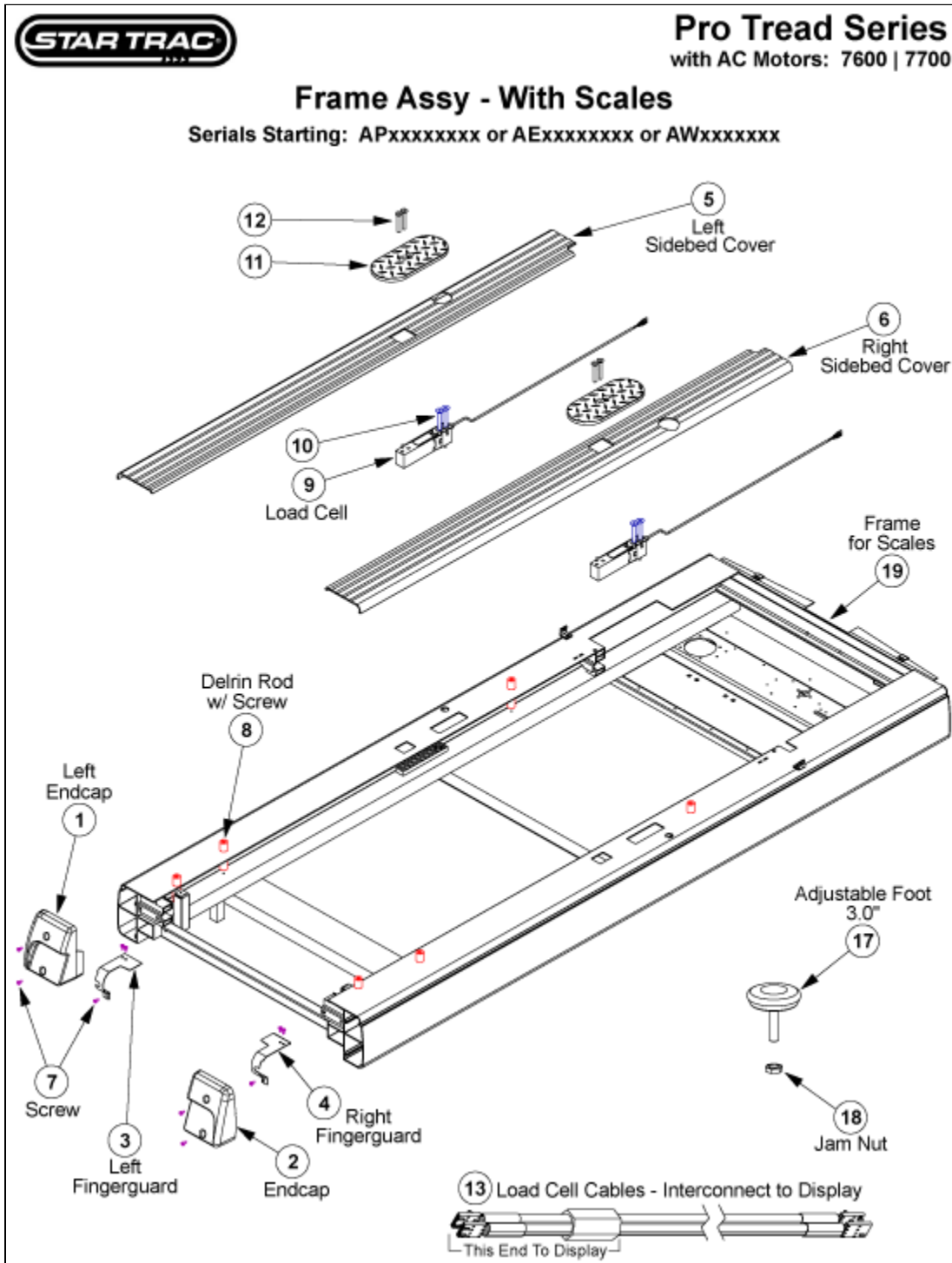


Product ID: 33 • Diagram ID: 181

Frame Assy

No Scales

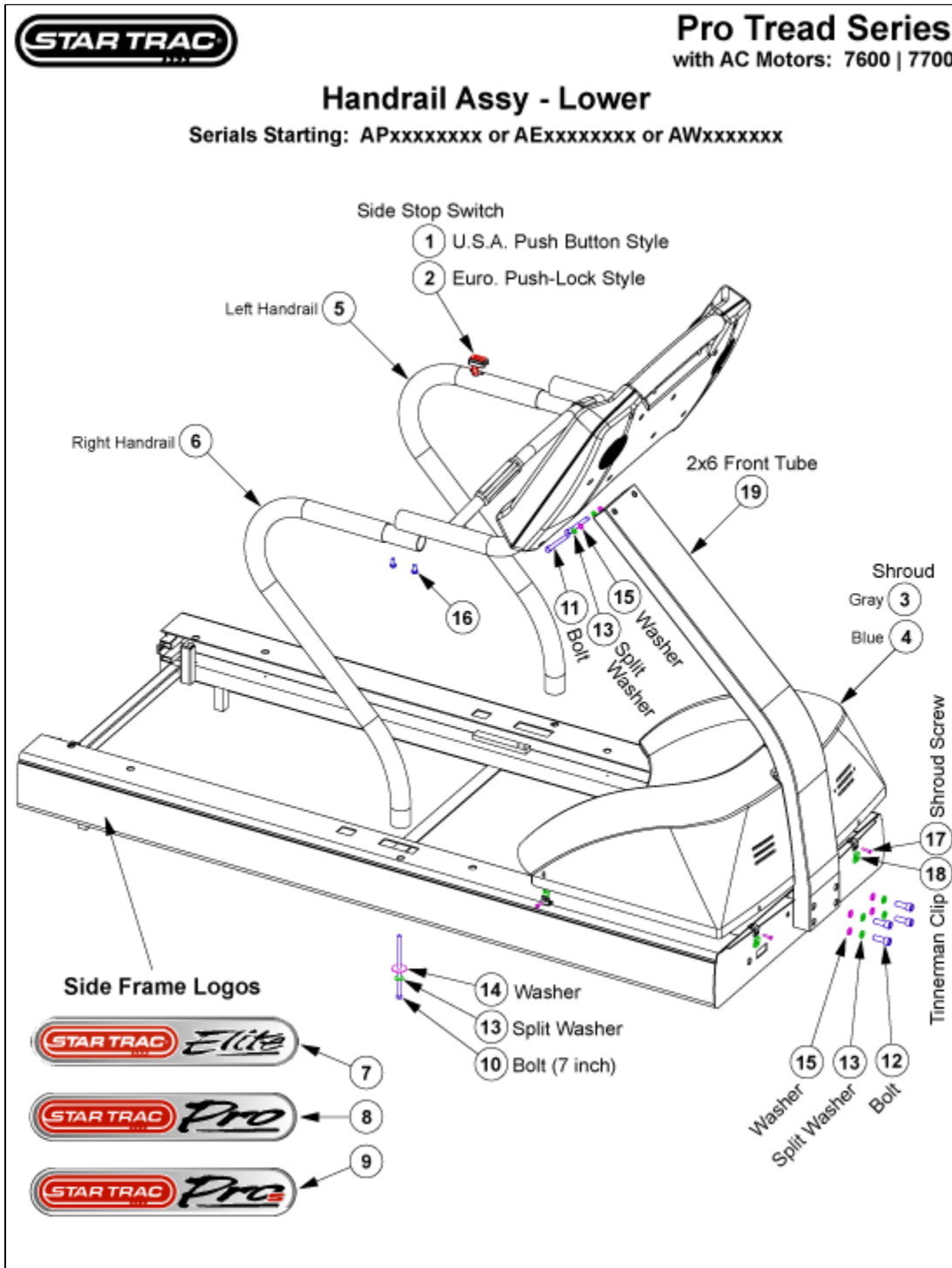
| Callout | Part Number: | Description |
|---------|--------------|---------------------------------|
| 1 | 020-6241-01 | Endcap, Lt, PRO TR |
| 2 | 020-6241-02 | Endcap, Rt, PRO TR |
| 3 | 020-7095-01 | Bracket, Finger Guard, Lt |
| 3 | 020-6231-01 | Finger Guard, Lt |
| 4 | 020-7095-02 | Bracket, Finger Guard, Rt |
| 4 | 020-6231-02 | Finger Guard, Rt |
| 5 | 020-6344-01 | Sidebed Cover Extr, Lt, Pro Tr |
| 6 | 020-6344-02 | Sidebed Cover Extr, Rt, Pro Tr |
| 7 | 110-0475 | Screw, 10-32x1/2" Phcs, Blk Oxd |
| 8 | 715-3196 | Delrin Stop Rod w/screw |
| 17 | 140-3200 | Adjustable Foot, 1/2-13x3.0" |
| 18 | 110-1823 | Nut, 1/2-13x5/16" Jam |



Product ID: 33 • Diagram ID: 182

Frame Assy With Scales

| Callout | Part Number: | Description |
|---------|--------------|---------------------------------|
| 1 | 020-6241-01 | Endcap, Lt, PRO TR |
| 2 | 020-6241-02 | Endcap, Rt, PRO TR |
| 3 | 020-7095-01 | Bracket, Finger Guard, Lt |
| 3 | 020-6231-01 | Finger Guard, Lt |
| 4 | 020-7095-02 | Bracket, Finger Guard, Rt |
| 4 | 020-6231-02 | Finger Guard, Rt |
| 5 | 020-6245-01 | Sidebed Cover Extr, Lt, Pro Tr |
| 6 | 020-6245-02 | Sidebed Cover Extr, Rt, Pro Tr |
| 7 | 110-0475 | Screw, 10-32x1/2" Phcs, Blk Oxd |
| 8 | 715-3196 | Delrin Stop Rod w/screw |
| 9 | 715-3502 | Load Cell, Pcu-175lb |
| 10 | 110-3159 | Screw, 5/16-18x2.0" Hk,shf,as,b |
| 11 | 020-6285 | Support, Foot pLatform |
| 12 | 110-3149 | Screw, 5/16-18x2.5" Fhsc, Ss |
| 13 | 715-3418 | Cable, Load Cell, Intercn-Disp |
| 17 | 140-3200 | Adjustable Foot, 1/2-13x3.0" |
| 18 | 110-1823 | Nut, 1/2-13x5/16" Jam |
| 19 | 710-3134 | Frame, Painted |

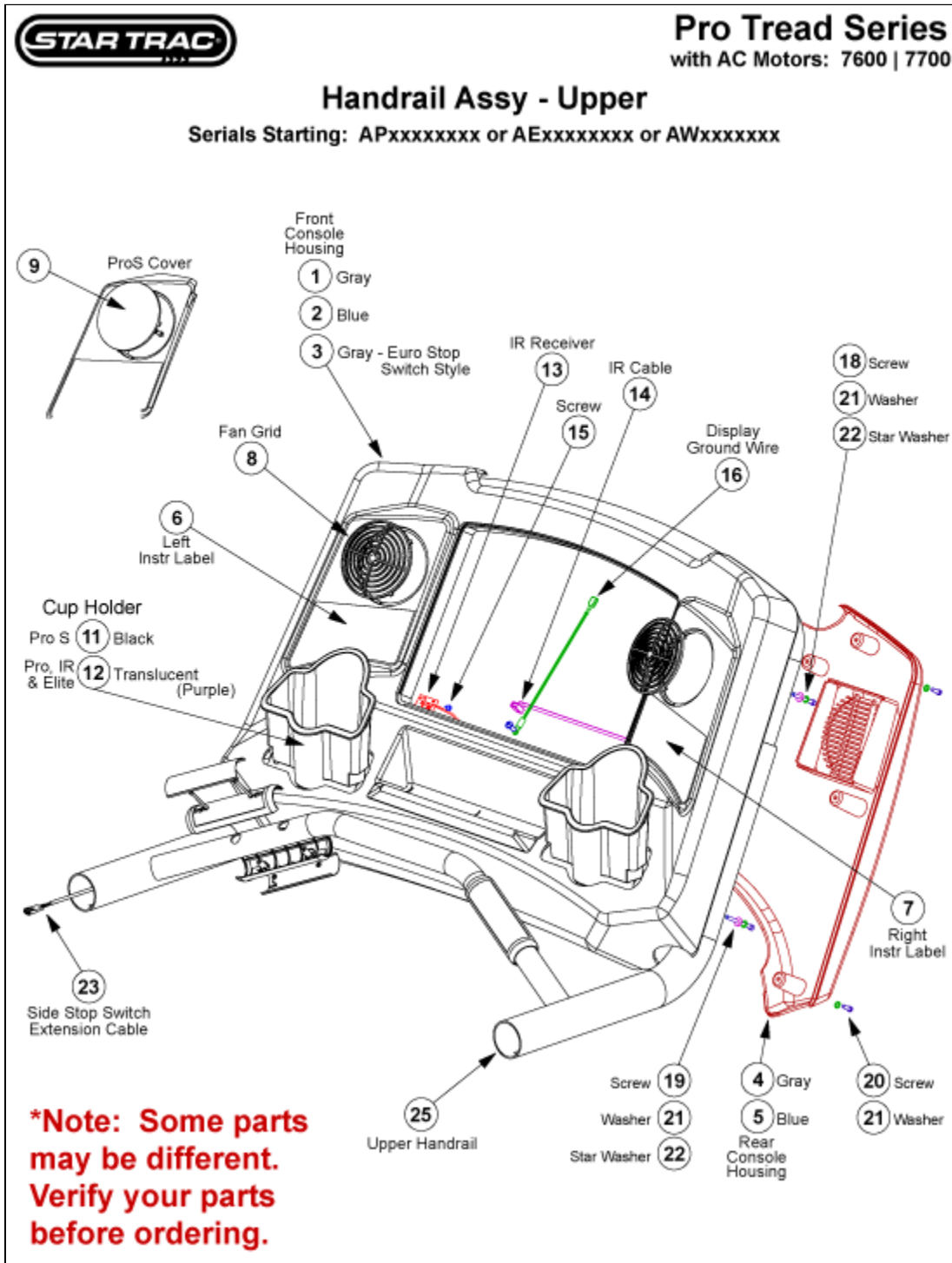


Product ID: 33 • Diagram ID: 183

Handrail Assy

Lower Section

| Callout | Part Number: | Description |
|---------|--------------|---------------------------------|
| 1 | 715-3565 | Switch, Stop w/Cable, Pro Tr |
| 3 | 800-3957 | Shroud Kit, w/Logo, gry |
| 4 | 020-6485 | Shroud, Motor, d-blu |
| 5 | 020-6239 | Rail, Side, Lt |
| 6 | 020-6240 | Rail, Side, Rt |
| 7 | 050-1886 | Label, Logo, Frame, Elite |
| 8 | 050-1822 | Label, Logo, Frame, Pro Tr |
| 9 | 050-1824 | Label, Logo, Frame, Pro S |
| 10 | 110-3162 | Screw, 5/16-18x7.0" Cch,he,cs,z |
| 11 | 110-0640 | Screw, 5/16x3.0" Shcs |
| 12 | 110-3150 | Screw, 5/16-18x1.0" Shcs |
| 13 | 120-0480 | Washer, 5/16" Cut |
| 14 | 120-0491 | Washer, 5/16 x 1.5" Flat |
| 15 | 120-0490 | Washer, 5/16 x1/2" Flat |
| 16 | 110-0506 | Screw, 1/4-28x3/8" Bhss |
| 17 | 110-3107 | Screw, 10-24x7/8" Rolok, Pphs |
| 18 | 140-3149 | Tinneman Clip, #10 nut |
| 19 | 715-3632 | Rail, Front, Pro Tr |



Handrail Assy

Upper Section

| Callout | Part Number: | Description |
|---------|--------------|-------------------------------|
| 1 | 020-6269 | Disp Hsg. Front, gry |
| 2 | 020-6486 | *OBSOLETE* |
| 4 | 020-6270 | Disp, Back, gry |
| 5 | 020-6487 | Disp, Back, d-blu |
| 6 | 050-1904-01 | Instr, Oper, Engl, Pro Tr, Lt |
| 7 | 050-1904-02 | Instr, Oper, Engl, Pro Tr, Rt |
| 8 | 020-6273 | Fan Grid, Pro Tr |
| 9 | 020-6345 | Disp, Fan Cover |
| 11 | 020-6272-01 | Disp Pocket, Black |
| 12 | 020-6272 | Disp Pocket, Translucent |
| 13 | 715-3427 | Daughterboard, IR |
| 14 | 110-3158 | Screw, 6-19bx1/4" Pht |
| 15 | 715-3450 | Cable, IR-Disp Extn |
| 16 | 715-3457 | Cable, Ground Wire |
| 18 | 110-3157 | Screw, 8-32x1.5" Shcs |
| 19 | 110-3144 | Screw, 8-32x2.5" Shcs |
| 20 | 110-3145 | Screw, 8-32x1/2" Fillister |
| 21 | 120-0590 | Washer, #8 Flat |
| 22 | 120-0221 | Washer, #8 Ext tooth |
| 23 | 715-3416 | Cable Assy, Stop Sw, Extn |
| 25 | 020-6237 | Hrail, Top, Hr |

Pro Tread Series
5500 | 5600 | 6500 | 6600 | 7500 | 7600 | 7700

Hardware for Installation

There is no part number for the installation hardware for the Pro Treadmills. Below is a listing of the screws and washers that are needed to install the treadmill:

2x 110-3162
2x 120-0491
2x 110-0640
4x 110-3150
6x 120-0490
8x 120-0480

Below are some other commonly ordered hardware parts for your reference:

11 Tinnerman Clip (Motor Shroud)

12 Shroud Screw

13 Handrail Screw

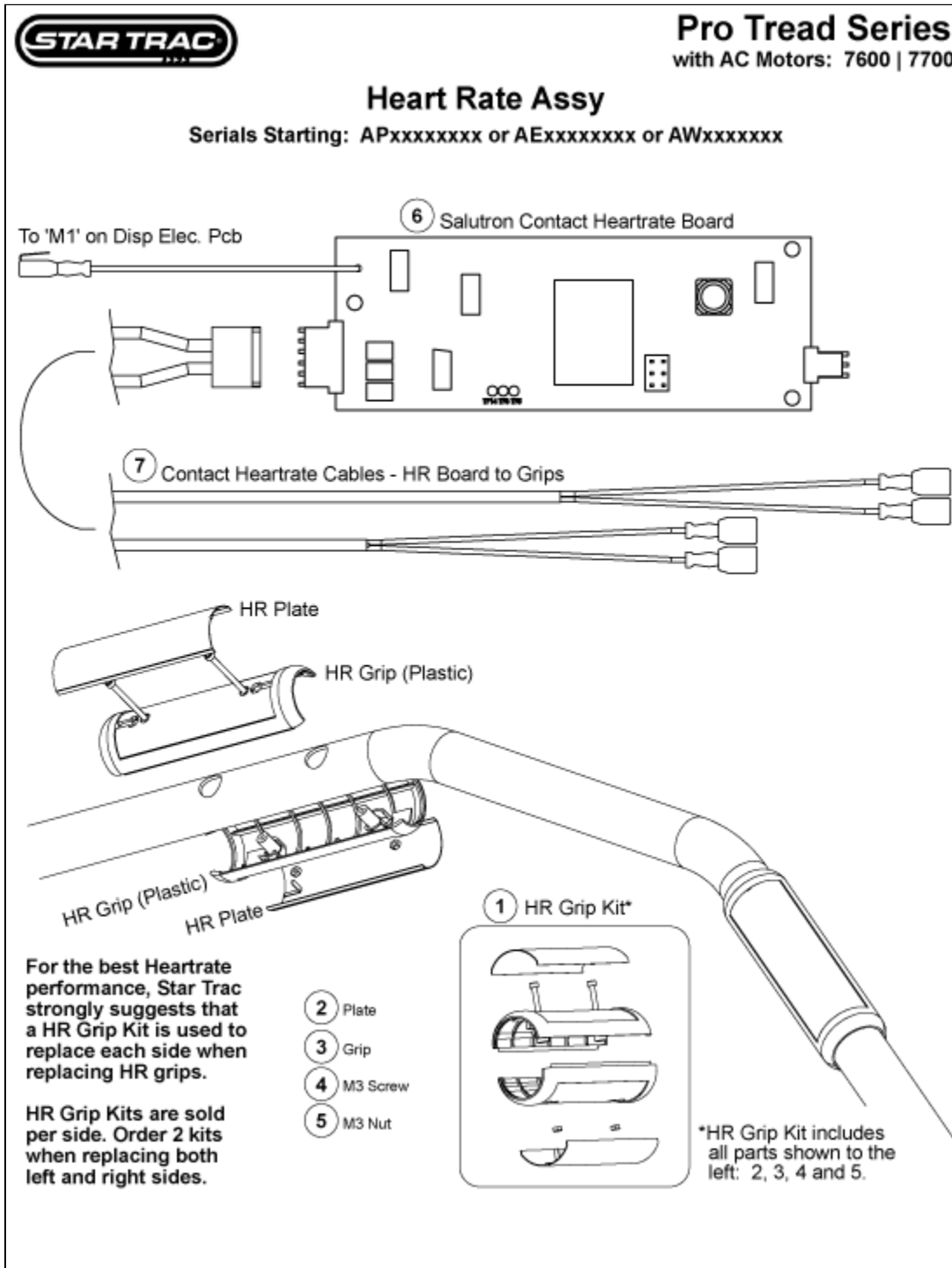
14 Star Washer (Display Panel)

15 Display Screw

Product ID: 33 • Diagram ID: 428

Hardware (Installation)


| Callout | Part Number: | Description |
|---------|--------------|---------------------------------|
| 1 | 110-3162 | Screw, 5/16-18x7.0" Cch,he,cs,z |
| 2 | 120-0491 | Washer, 5/16 x 1.5" Flat |
| 4 | 110-3150 | Screw, 5/16-18x1.0" Shcs |
| 5 | 120-0490 | Washer, 5/16 x1/2" Flat |
| 6 | 120-0480 | Washer, 5/16" Cut |
| 11 | 140-3149 | Tinnerman Clip, #10 nut |
| 12 | 110-3107 | Screw, 10-24x7/8" Rolok, Pphs |
| 13 | 110-0506 | Screw, 1/4-28x3/8" Bhss |
| 14 | 120-0221 | Washer, #8 Ext tooth |
| 15 | 110-3145 | Screw, 8-32x1/2" Fillister |



Product ID: 33 • Diagram ID: 185

Heart Rate Assy

| Callout | Part Number: | Description |
|---------|--------------|----------------------------|
| 1 | 800-3904 | HR Grip Kit, one side |
| 6 | 715-3602 | Salutron HR Brd w/Grd wire |
| 7 | 715-3425 | Splitter, HR Grip |













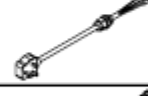
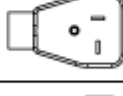


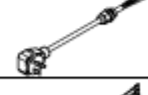






TREADMILLS

Power Cord Assy's

9-xxxx-x**USA**xx

110V 220V



| | | | | |
|----------------|--------------------|--|--|---|
| USA OUL | | ① Power Cord 110V NEMA 5-20 |  |  |
| | USA OUL JPN | ② Power Cord 220V NEMA 6-15 |  |  |
| | OCE | ③ Power Cord 220V CEE 7/7 |  |  |
| | AUS | ④ Power Cord 220V Australia |  |  |
| | UKI | ⑤ Power Cord 220V BS1363 fused |  |  |
| USA OUL | | ⑥ Power Cord 110V - Right Angle Plug NEMA 5-20rt |  |  |
| | USA OUL JPN | ⑦ Power Cord 220V - Right Angle Plug NEMA 6-15rt |  |  |
| | UKI | ⑧ Power Cord 220V - Right Angle Plug CEE 7/7 |  |  |
| USA | | ⑨ Power Cord, Home Units 110V NEMA 5-15 |  |  |
| USA | | ⑩ Power Cord, Home Units 110V - Right Angle Plug NEMA 5-15rt |  |  |

DO NOT MODIFY THE POWER CORD THAT CAME WITH YOUR TREADMILL. USE THE SAME TYPE. DO NOT USE A HOME MODEL PLUG ON A COMMERCIAL TREADMILL. CONTACT STAR TRAC FOR INFO.

Product ID: 33 • Diagram ID: 433

Power Cords

| Callout | Part Number: | Description |
|---------|--------------|------------------------------------|
| 1 | 715-3456 | ASSY, PW CORD, NEMA 5-20, 110V |
| 2 | 712-3002 | ASSY, PW CORD, NEMA 6-20, 220V |
| 3 | 712-3033 | POWER CORD, ASSY, 230V, EUROPEAN |
| 4 | 712-3046 | Power Cord, 220v, Aus |
| 5 | 712-3035 | POWER CORD, 230V, UK/IRELAND |
| 6 | 715-3456-001 | ASSY, PW CORD, NEMA 5-20, 110V, RA |
| 7 | 712-3002-001 | Power Cord, 220v, right angle |
| 8 | 715-3570 | Assy, Powercord, 230v, Eur, Rt |
| 10 | 800-3956 | Power Cord, 110v, nema 5-15r |